







PARTS/TOOLS NEEDED:

						
VersiColor Flex Light	Mounting Track (optional)	Class 2 Power Supply (Required for 120V - 220V installation)	RGB Controller (options vary)	#6 Screws (Screw mount track installation only)	Power Drill w/ Phillips Bit (Screw mount track only)	Flat Head Screw Driver

Safety Instructions

- Disconnect power before installing, adding or changing any component.
- To avoid a hazard to children, account for all parts and destroy all packing materials.
- Do not install any luminaire assembly closer than 6" from any combustible materials.

Installation Considerations For All Flexible Lighting Products

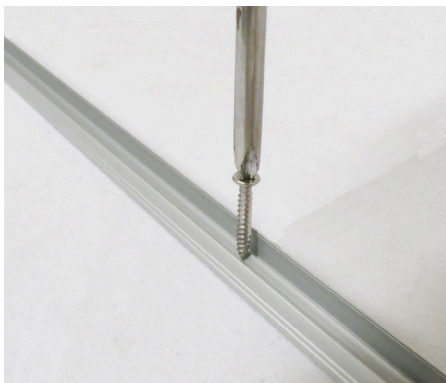
- Do not bend lighting more than necessary. It should only be bent to a 1" radius. Bending to a tight 90 degree angle could cause damage to the circuit.
- Only bend the LED ribbon in one natural direction, do not try to bend in an unnatural direction such as twisting.

Installation Considerations For RNLL Flexible Lighting

- Unroll the entire length of Luna (RNLL) before installing.
- Start at the wire lead end and beginning of channel, work the light into the channel going 6" at a time. The light should go into the channel pretty easily by just thumbing it in.
- When pushing the light into the channel, make sure to push towards the wired end. The silicone on the light is flexible and pushing away from the wired end will leave a gap at the end of the run.
- Do not use any roller as that may cause damage to the LED circuit.
- For more information about the handling of this product please scan the code or visit, <http://www.elio-itc.com/luna-trouble-shooting-guide/>



1. Determine the installation location and install the track by either taping or screwing in place. If using the TPB version, the light can simply be taped into place. Remove paper backing from tape before placing in track. Install the light in the track by gently rocking it back and forth.



Screw Mount Track



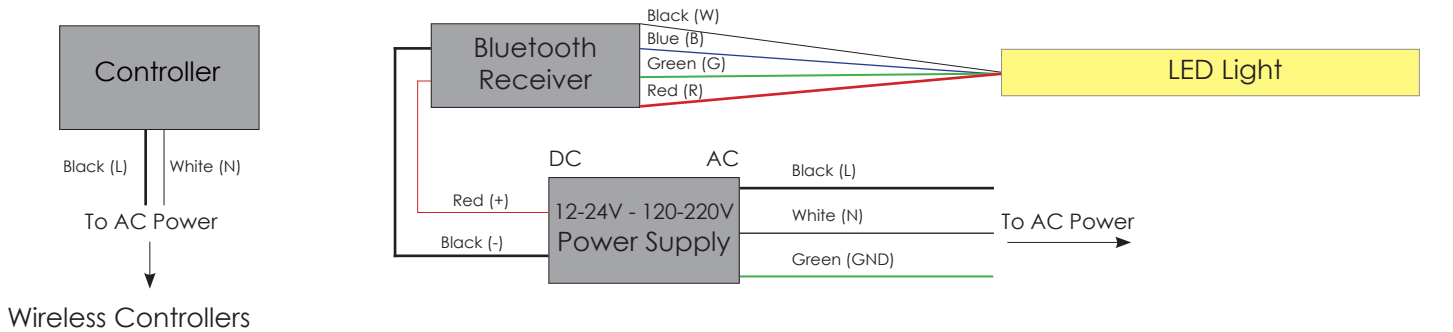
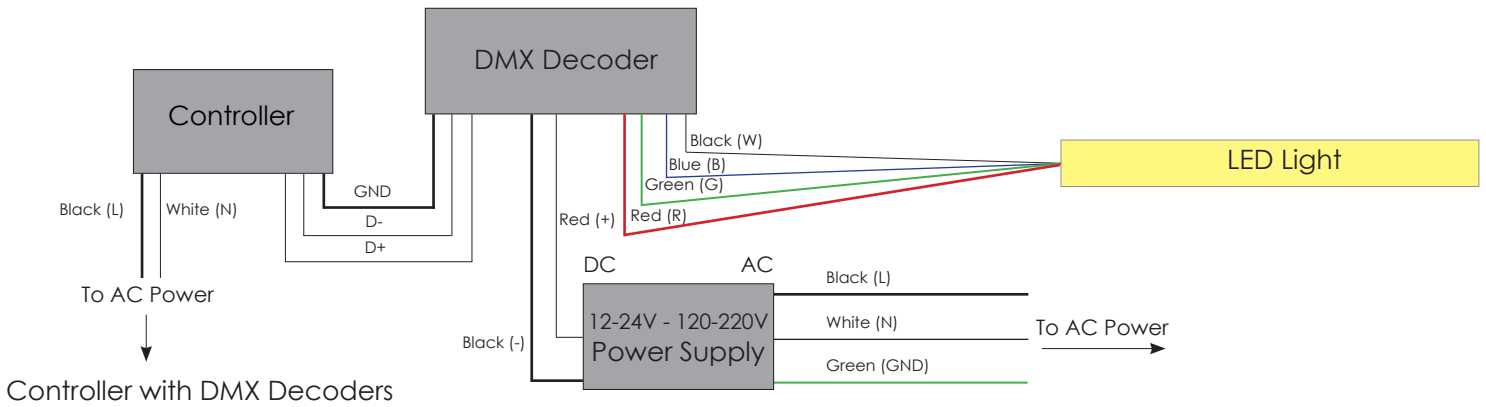
Adhesive Mount Track



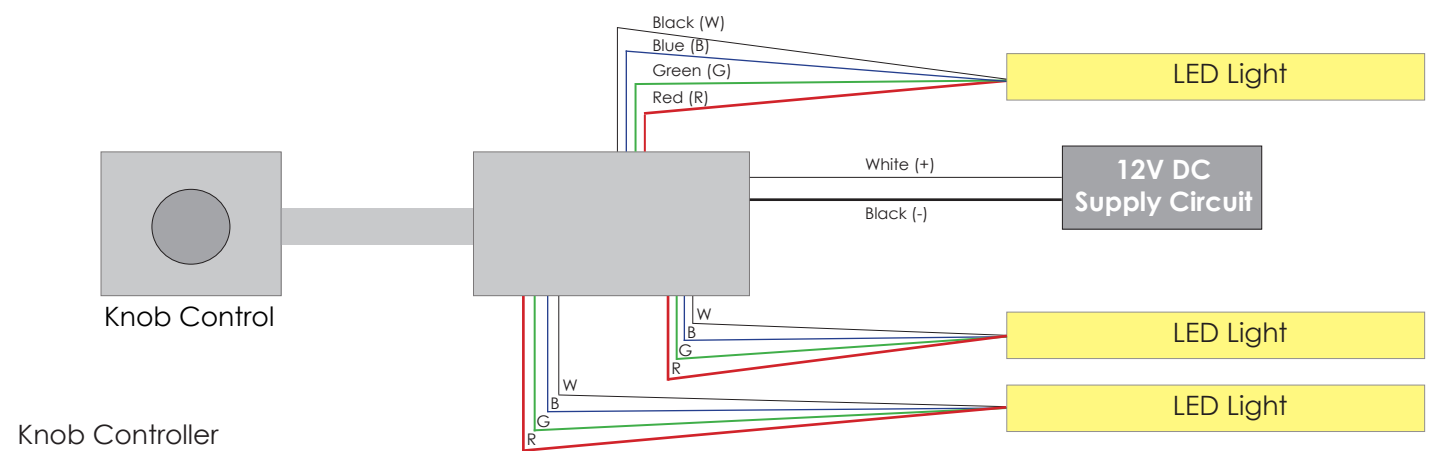
Installing the Light

*Remove paper backing from tape before placing in track

2. Using the wiring diagrams below, wire the light to the RGB controller and class 2 power supply (if using).



If using the wireless LED controller, part #230-00028 (shown at the right), you will need to turn the controller upside down when inserting the wires. This allows for the wires to be fully inserted and make a good connection.



Knob Controller Use Instructions:

1. Press once to turn on the light and turn the knob to select the desired color.
2. Press twice and turn the knob to select the dimming level.
3. Press three times turn the knob to select the mode, for example color fade from blue to purple.

For warranty information please visit www.itc-us.com