

LED Underwater Light

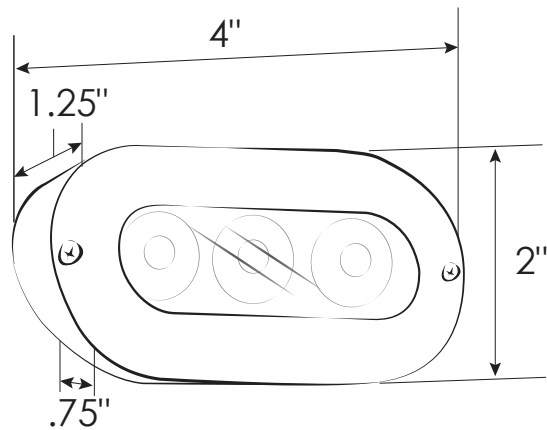
Features

- Underwater light angled downward for superior illumination
- Available in 3000K, 6500K, red, blue, green or VersiColor™ RGB LED color options
- Corrosion resistant high polished 316 stainless steel bezel available
- Simple surface mount installation requires a minimal 3/4" wire hole cut out
- 50,000 estimated life
- Use above or below water

Product Details

Type	Single Color	VersiColor RGB
Bezel	316 Stainless Steel	
Cutout	0.75" Wire Hole	
Wattage	5.5 W	1.3 W
Voltage	10-28 VDC	
Current	0.46 A	0.1 A
Lumen Output	400 LM	60 LM
Beam Angle	120°	
IP Rating	IP67	

Product Dimensions



Specification Guide

Sample Part #: 69683SS-BL

Base Part
LED Option

Base Part #	LED Option
69683SS	3K - 3000K*
	6K - 6500K
	RD - Red*
	GR - Green*
	BL - Blue
	RGB - Red/Green/Blue
*Standard non-stock	

