

Stainless Steel Drink Holder

Features

- High polished 304 stainless steel for superior corrosion resistance
- Ring mounts to surface, then drink holder attaches to ring with twist lock
- Noise reduction pad included
- 3/8" hole for drainage
- Allows easy access, just twist to remove drink holder

Product Details

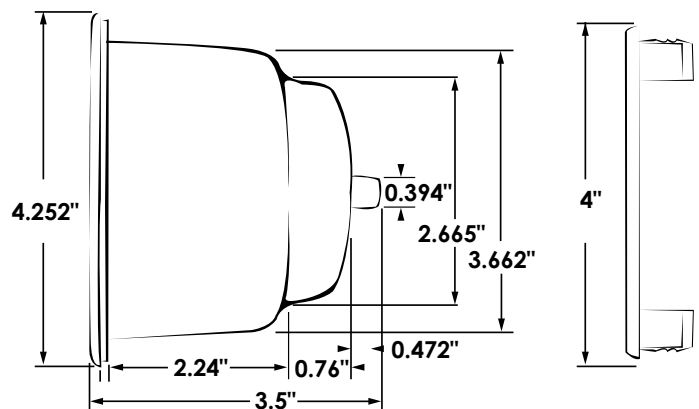
Material	304SS
Cutout	4"
Drainage	3/8" hole
Mounting	VHB Tape 4941

Part Numbers:

81427SS304	Stepped bottom drink holder
81423-ELBOW	90° Elbow for 3/8" drain tube
81421-PLUG	Molded drain hole plug
81421-PAD	Replacement adhesive pad



Product Dimensions



Patent No. 7,748,678