

IllumaGrip® Assist Handle

Features

- 1.25" diameter acrylic features embedded highly reflective lines
- Available with brushed or polished end caps in 304 stainless steel
- Handles available unlit or lit with cool white or blue LEDs. High output available on 86435 handle
- High output version is over 200% brighter than the standard option
- 86433 and 86435 ends caps have two mounting holes and 86436 end caps have four mounting holes
- Pull tested to 350 pounds
- Customized screen printing available*

Product Details

Type	Standard Output	High Output
Handle End Cap	304 Stainless Steel	
Handle	Acrylic	
LED Color	Blue or 6000K	
Wattage	0.2W	0.9W
Voltage	13.6V	
Current	0.01A	0.06A
Lumens	30LM	110LM
IP Listing	IP64	

Specification Guide

Sample Part #: 86435-SS/CL-18

Base Part
 End Cap Finish
 LED Color
 Handle Length

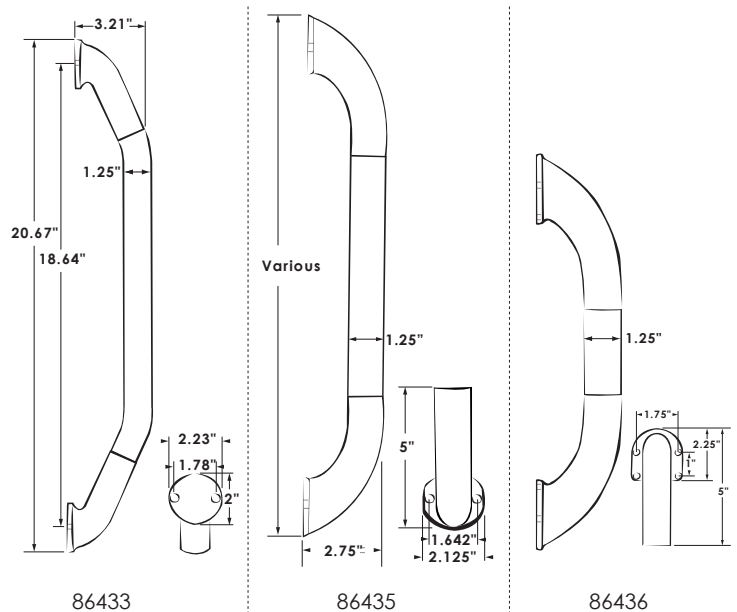
Base Part #	End Cap Finish	LED Color	Handle Length**
86433 - Formed 86435 - Two-Hole 86436 - Four Hole	BS - Brushed SS - Polished	OO - Unlit CL - Cool White, 6000K BL - Blue H6K - High Output, 6000K* HBL - High Output Blue*	12 - 13" 18 - 18" 24 - 24" 34.75 - 34.75"

* Option available only on 86435 handles

** Leave blank for 86433 formed handle



Product Dimensions



* For information on the customized screen printing, please contact ITC
 Patent # 6,592,240 & 7,374,319