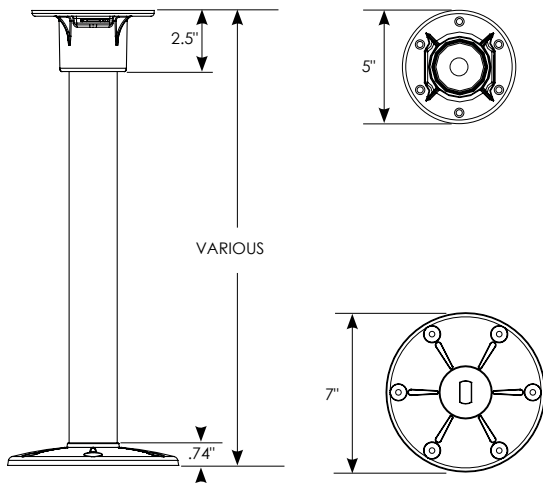


Redwood Table Leg & Base System

Features

- Strong, stable and attractive components
- Innovative threaded lock base/leg mechanism is easy to install providing greater stability and a secure fit
- 2" diameter anodized aluminum legs are available in 15.5", 25.5", 27", 29" and 33" lengths
- Floor bases are surface mount, eliminating the need to recess the base into the floor
- Available in a black or silver finish
- Black glass filled nylon table base for superior strength
- Positive snap-on table base with capability to rotate
- Blue LED illuminated ring available for installation with floor base for added accent illumination

Product Dimensions



Specification Guide

Sample Part #: TL5000-B-27

Base Part
 Finish Color
 Length

Table Leg System Specification

Base Part #	Finish Color	Length	
		15.5 - 15.5"	27 - 27"
TL5000 - Table Leg	B - Black S - Silver PS - Polished Silver* *Applies to TS5020 only	25.5 - 25.5"	29 - 29" 33 - 33"
TS5020 - Floor Base & Cap		Not Applicable	
TS5003 - Table Base		Not Applicable	
TS5021 - Replacement Floor Base Cap		Not Applicable	

