



# Radiance<sup>X2</sup>™ Installation Instructions

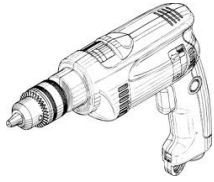
(Part #'s: 68252-12-KK)

Patent Pending / © 2016, ITC Incorporated

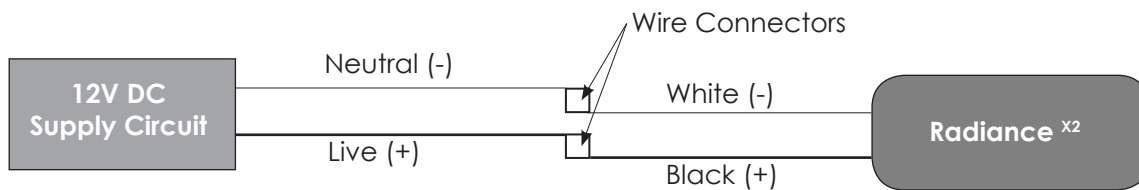
## PARTS NEEDED:

	
Radiance <sup>X2</sup> Light (For switched/non-switched)	Four #6 Pan Head Screws (customer provided)

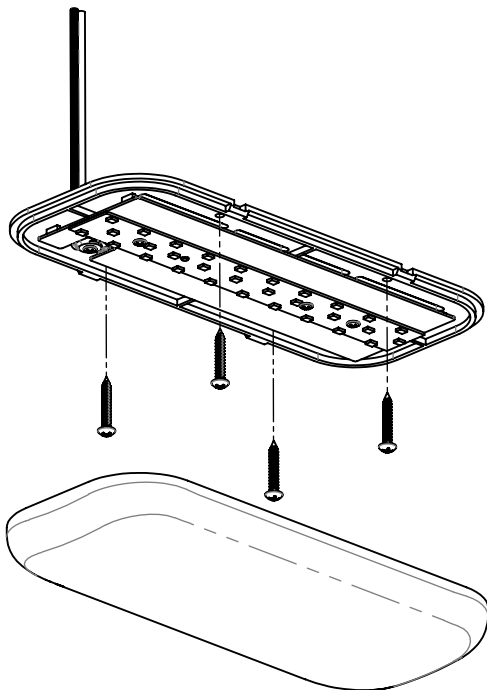
## TOOLS NEEDED:


Power Drill

1. Start by removing the frosted lens from the fixture (Note, you may need to use a screw driver to gently remove the lens).
2. Use CSA approved wire connectors to connect the fixture's white neutral wire (-) to the neutral wire (-) on the unit's supply circuit. Next, connect the fixture's black live wire (+) to the live wire (+) on the unit's supply circuit.



3. Next, hold the fixture base up to the mounting surface and mark the location of each screw. Attach the light using #6 pan head screws (customer provided) to marked area.



4. Snap the frosted lens into place on the fixture and test light.

