

# LED Backlit Logo Badge

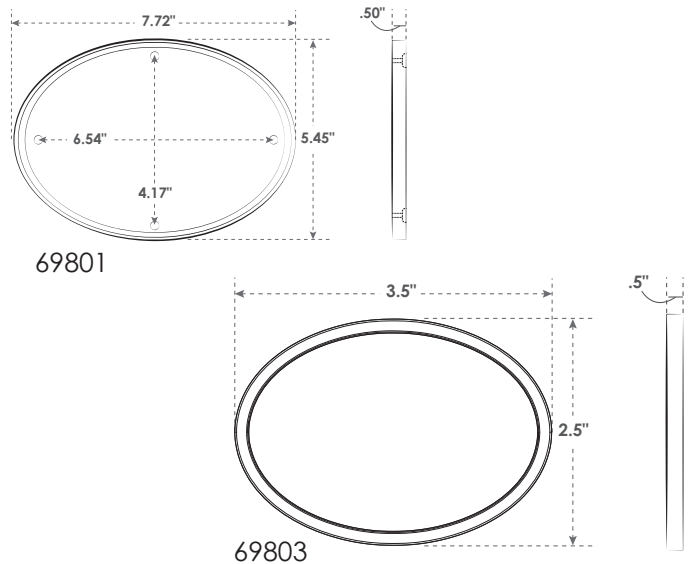
## Features

- Add a stylish illuminated accent
- Available in standard oval shape - custom shapes and sizes available via special order
- Available with blue, warm white, cool white, red or RGB LED color options
- Customized with your logo or graphic
- Power saving LED technology
- IP64 rated

## Product Details

Type	69801	69803	69801-RGB
Wattage	1.4W	3 W	2.5W
Voltage	13.6V DC		13.6V DC
Amp Draw	0.11 A	0.22 A	0.19 A
LED Color	Blue, 3000K, 6300K or Red		RGB
IP Rating	IP 64		IP 64

## Product Dimensions



## Specification Guide

Sample Part #: 69801-BK-BL-XX



Lit Badge Specification			
Base Part #	Housing Color	LED Color	Custom Logo Designation
69801 69803	BK - Black CH - Chrome *Leave blank for white housing	BL - Blue 30 - 3000K 63 - 6300K RD - Red RGB - Red, Green, Blue	XX - Contact ITC sales representative to discuss custom logo options.



Customize with your logo or graphic  
[Contact ITC for more information]

UL2108 / UL87500