

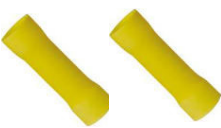






Button Light Installation Instructions

(Part #'s: 69502XX-XXX)

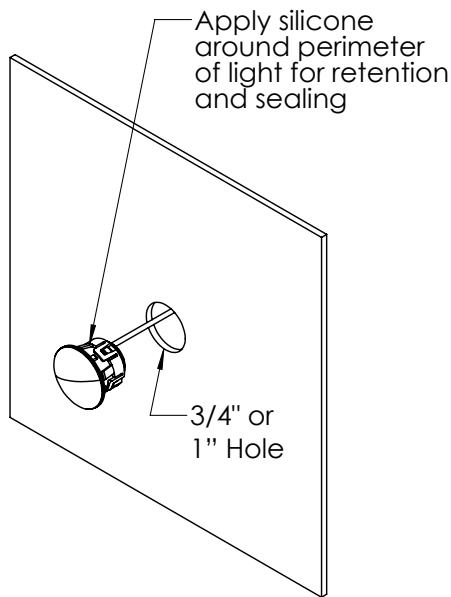
PARTS/TOOLS NEEDED:

				
Button Light	Power Drill	Butt Splice Connectors (Not Provided)	Wire Grommet (Not Provided)	Silicone Sealant (Not Provided)

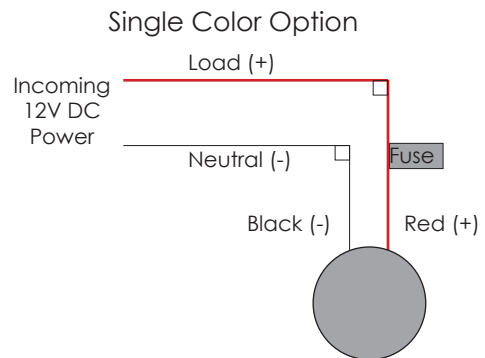
INSTALLATION CONSIDERATIONS

- Disconnect power before installing, adding or changing any component.
- To avoid a hazard to children, account for all parts and destroy all packing materials.
- It is recommended that fuse protection be added to the positive (+) input.

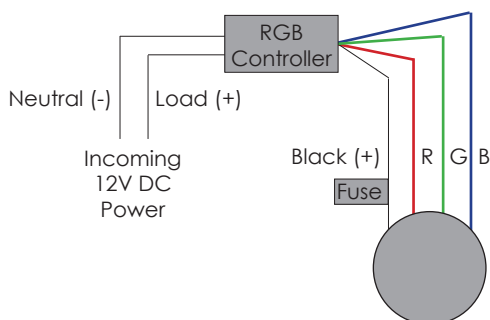
1. Drill a 3/4" hole (or 1" if using the decorative collar) in your mounting surface. To prevent damage to the wires install a wire grommet.



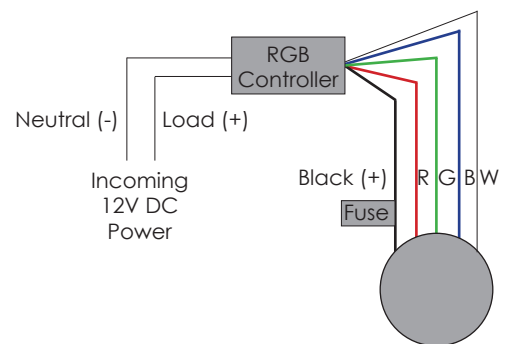
2. Wire the light based on the wiring diagram. Feed wires back into the hole and push the light in place. Use silicone sealant to hold it in place.



RGB Option



RGBW Option



For warranty information please visit www.itc-us.com

3030 Corporate Grove Dr. • Hudsonville • MI • 49426

Phone: 616-396-1355 • www.itc-us.com • sales@itc-us.com • DOC#: 710-00036 Rev C • 04/07/20