

PARTS / TOOLS NEEDED:

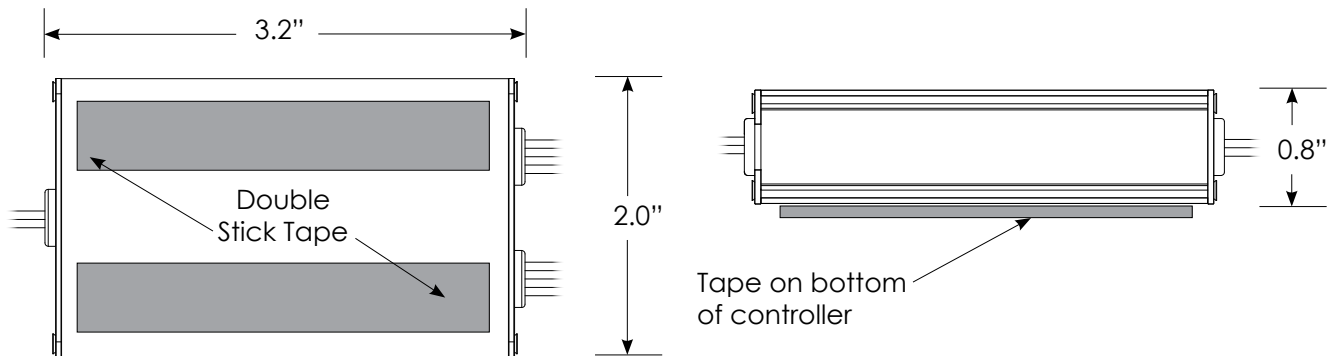
				
RGB Fixed Color Module	RGB Lighting (Varies)	Double Stick Tape x 2	Butt Splices (not provided)	Alcohol Wipes (not provided)

Safety Instructions

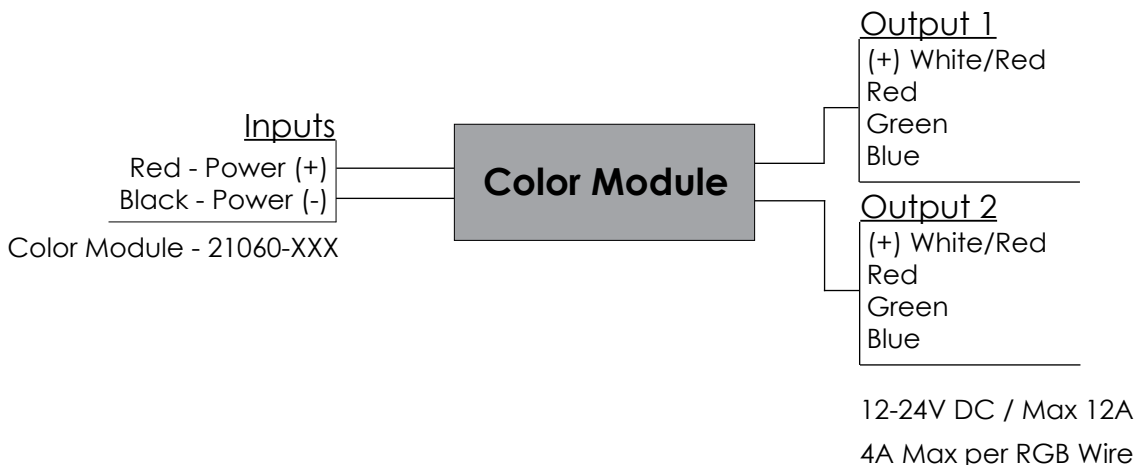
- Disconnect power before installing, adding or changing any component.
- To avoid a hazard to children, account for all parts and destroy all packing materials.
- Do not install any luminaire assembly closer than 6" from any combustible materials.
- Positive (+) outputs require a fuse if the attached wire leads are not rated to handle the max current.

1. Determine the installation location for your color module. Make sure to consider the size of the module (3.2"L x 2"W x 0.8"H) when determining your location. Note, it will require room for access and for wiring. Once determined, clean the back of the module and the install location with alcohol wipes (not provided). Place the double stick pads (included) on the back of the module as shown below. Remove the paper and stick the module in place.

- Do not mount in area where water can be splashed over unit.



2. Follow the wiring diagram below to wire the module to your system.



For warranty information please visit www.itc-us.com

230 E. Lakewood Blvd. • P.O. Box 8338 • Holland • MI • 49422-8338

Phone: 616-396-1355 • www.itc-us.com • sales@itc-us.com • DOC#: 710-00015 Rev A • 05/12/17