



Platinum™ Assist Handle Install Instructions

(Part #'s: 86480-LL-XX-YY-ZZZ)

PARTS/TOOLS NEEDED:

12" or 21" Platinum Assist Handle	Mounting Plates & Hex Screws	Stainless Steel Screws (not provided)	Power Drill	3mm Allen Wrench (not provided)	Butt Splice Connectors (not provided)	Double Sided Tape

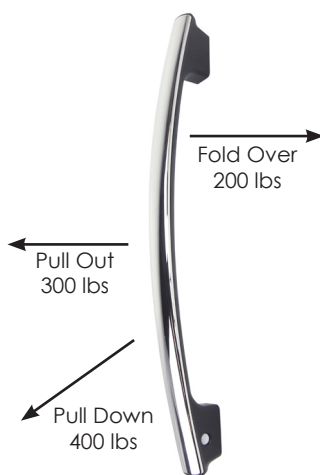
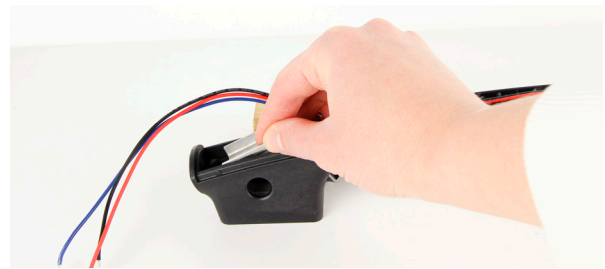
Safety Instructions

- Disconnect power before installing, adding or changing any component.
- To avoid a hazard to children, account for all parts and destroy all packing materials.
- Do not install any luminaire assembly closer than 6" from any combustible materials.

1. Determine the installation location and use the handle as a template to mark the screw and wire holes. Make sure that the handle is level and that the wired side of the handle is on the bottom. Drill pilot holes for the mounting screws and a hole large enough to feed the wires through.



2. Insert the mounting bracket into the end cap on the handle. Note, there are two different mounting brackets provided. One is for a through-bolt installation in thinner substrates such as fiberglass. The other is for screw mount installation in thicker more substantial substrates such as a door threshold. Verify that there is adequate support behind the wall before installing the handle.



*Attach foam pad to back of PIR Sensor using doubled sided tape (not provided).



Thick substrate bracket



Thin substrate bracket

Please note the above maximum load limits for the handle.

For warranty information please visit www.itc-us.com/warranty

3030 Corporate Grove Dr • Hudsonville • MI • 49426

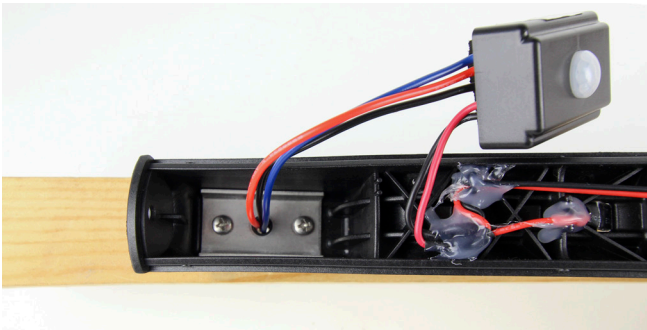
Phone: 616-396-1355 • Fax: 616-396-1152 • www.itc-us.com • sales@itc-us.com • REV B 09/17/18



3. Install one screw in the lower mounting plate with just enough torque to hold the handle in place. Then install one screw in the top mounting plate. Proceed with installing the 2nd lower screw and the 2nd upper screw. Tighten all four screws.



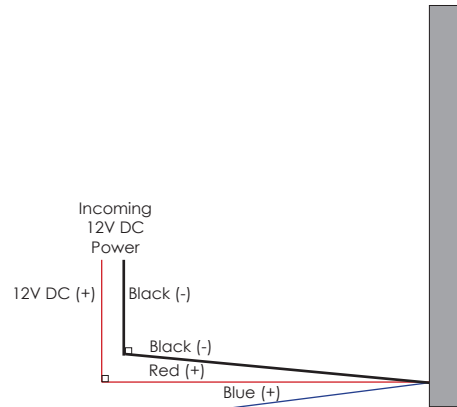
4. Feed wires back through the hole and insert the wiring box into the handle.



*Make sure the PIR eye is in the center of the cut out.



5. Wire the handle based on the wiring diagram below. Test handle and ensure the light is working properly.



Note: If you want the handle to be on all the time or wired to a switch inside the unit, then use the red wire. If you wish to use the PIR option use the blue wire. Make sure to cap off the wire not being used.

6. Next, use an allen wrench and the provided hex screws to install the decorative cover. There is a screw for both the top and bottom as well as one pre-installed on the underside in the center of the handle. Do not fully tighten screws until all three are in place.



For warranty information please visit www.itc-us.com/warranty

3030 Corporate Grove Dr • Hudsonville • MI • 49426

Phone: 616-396-1355 • Fax: 616-396-1152 • www.itc-us.com • sales@itc-us.com • REV B 09/17/18