

# Cypress™ Table Leg and Base System

## Features

- The 2.5" diameter heavy duty leg combined with the large diameter floor base provides a wobble free system
- This system is perfect for situations that require only one table leg
- The added locking feature on the twist and lock floor base provides a superior connection
- Easy, quick removal makes the system perfect to stow away when more space is needed

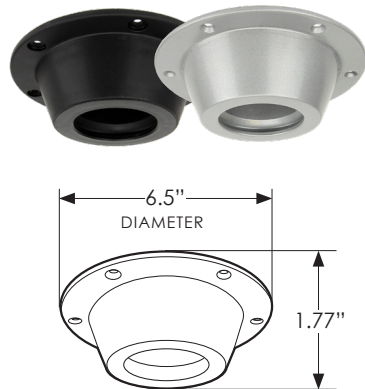
### Floor Base | CAFB-FFLL

Finish (FF)	Size (LL)
B1 - Powdercoated Black S1 - Powdercoated Silver	08 - 8" Floor Base
Polished Stainless Base - CAFB-S108-SS	
*Floor base cap ordered separately   360-00426-X	



### Table Base | CATB-FFLL

Finish (FF)	Size (LL)
B1 - Powdercoated Black S1 - Powdercoated Silver	T7 - 6.5" Table Base
PCTB-B317-U - Black Plastic 6.5" Table Base	



### Table Leg | CATL-FFLL-U

Finish (FF)	Length (LL)
B4 - Black Anodized	24 - 22.6" Leg
S3 - Silver Anodized	27 - 25.6" Leg
S2 - Polished Anodized	29 - 27.6" Leg
	33 - 31.6" Leg



Patent #11,304,509