

PARTS / TOOLS NEEDED:

			Application Specific Sealant	
Flex Light & Mounting Clips	Power Drill (not provided)	#6 pan head screws (not provided)	(not provided)	Butt Splices (not provided)

Safety Instructions

- Disconnect power before installing, adding or changing any component.
- To avoid a hazard to children, account for all parts and destroy all packing materials.
- Do not install any luminaire assembly closer than 6" from any combustible materials.

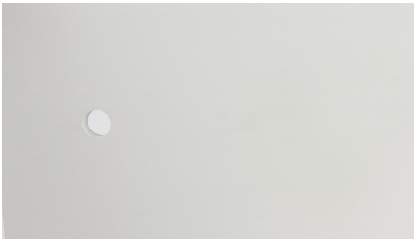
Installation Considerations For All Flexible Lighting Products

- Do not bend lighting more than necessary. Refer to page two for bend radius minimums.
- Only bend the LED ribbon in one natural direction, do not try to bend in an unnatural direction such as twisting.

**Installation Considerations For H Flexible Lighting

- Unroll the entire length of HMTL before installing.
- Start installation at the wire lead end.
- When installing the light on the mounting surface, make sure to push towards the wired end.
- Do not use any roller as that may cause damage to the LED circuit.

1. Determine installation location and drill a hole in the mounting surface.

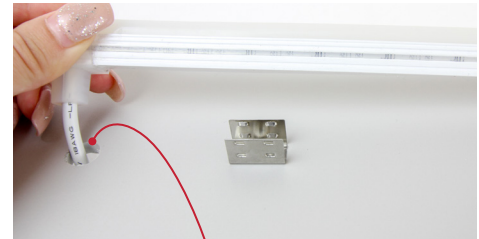


2. Secure clips to mounting surface using #6 pan head screws (not provided).



**Clip spacing is dependant on application, when going around curves clip spacing should be closer.*

3. Feed the wires into the hole and apply application specific sealant* around the hole and wires.

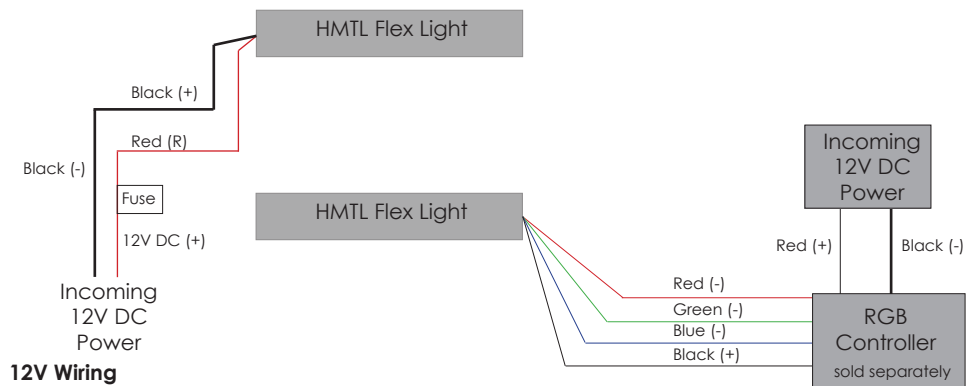


**Sealant here*

4. Secure the light in the track by gently pushing into clips



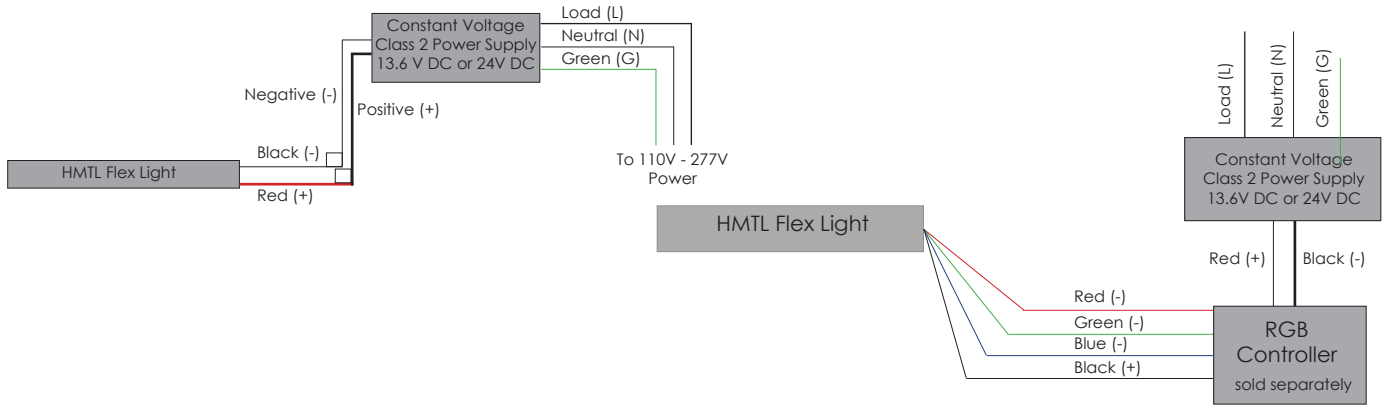
5. Follow the wiring diagram below to wire the light to your system.



**Please review the considerations on page 2 to ensure a successful installation.*

***HMTL flexible lighting cannot be field cut. Field cutting the light will void the warranty.**

5 Cont. Follow the wiring diagram below to wire the light to your system.



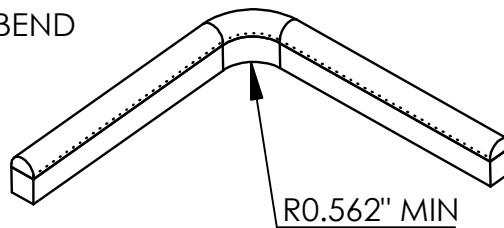
CAUTION

INSTALLATION INSTRUCTION

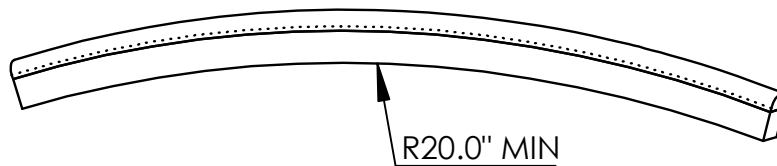
ALWAYS INSTALL WIRE END FIRST!

MINIMUM BEND RADIUS

LATERAL BEND



TOP TO BOTTOM BEND



Do not twist tapelight

For warranty information please visit www.itc-us.com/warranty

3030 Corporate Grove Dr • Hudsonville • MI • 49426

Phone: 616-396-1355 • www.itc-us.com • sales@itc-us.com • DOC#: 710-00114 • Rev B: 04/14/20