



# Drink Holder Installation Instructions

(Part #'s: 81420, 81421, 81423, 81426, 81427, 81429, 81430 & 81432)

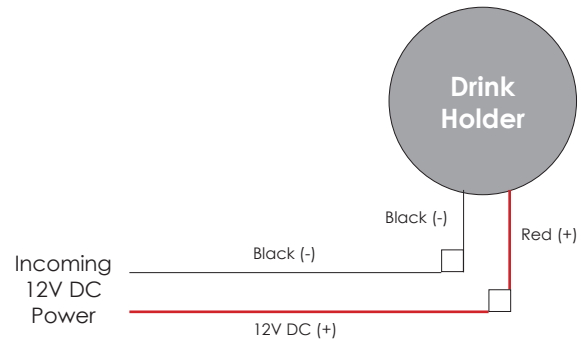
PARTS NEEDED:	
Drink Holders	Butt Splice Connectors (Not Provided)

TOOLS NEEDED:	
Power Drill	Hole Saw Bit

1. Determine the installation location and drill a 3-5/8" hole using a hole saw (Note: For part #81427 & 81430 you will need to drill a 4" hole).



2. If installing a standard drink holder proceed to step 3. If installing a lit drink holder follow the wiring instructions below.

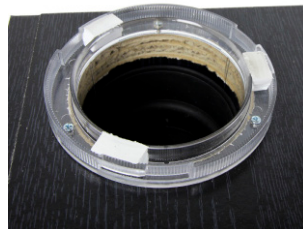


Single Color Option

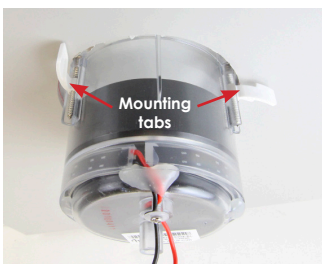
3. If installing an adhesive mount drink holder, simply remove the paper backing and press in place. If installing the screw mount cup holder screw down using the provided screws. If installing the blind mount, tighten screws until the tabs flip out. Replace the decorative ring.



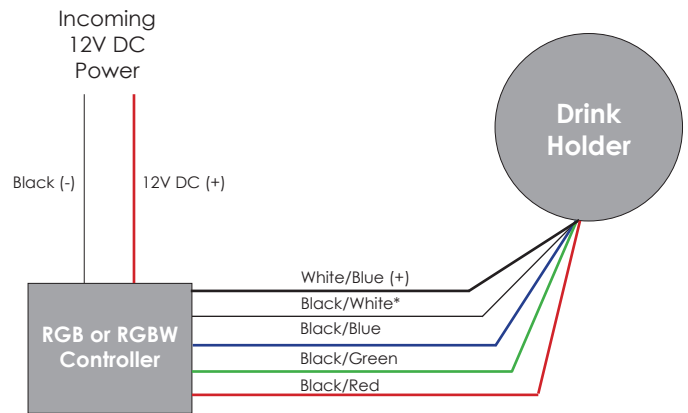
Adhesive Mount



Screw Mount



Blind Mount



\*Only the RGBW version will have the Black/White wire

VersiColor RGB/RGBW Option

For warranty information please visit [www.itc-us.com](http://www.itc-us.com)

3030 Corporate Grove Dr. • Hudsonville • MI • 49426

Phone: 616-396-1355 • Fax: 616-396-1152 • [www.itc-us.com](http://www.itc-us.com) • [sales@itc-us.com](mailto:sales@itc-us.com) • 04/21/20