

Cypress™ Table Leg and Base System

Part Number: CXX-FFLL

Features

- The 2.5" diameter heavy duty leg combined with the large diameter floor base provides a wobble free system
- This system is perfect for situations that require only one table leg
- The added locking feature on the twist and lock floor base provides a superior connection
- Easy, quick removal makes the system perfect to stow away when more space is needed

Floor Base | CFB-FFLL

| Finish (FF) | Size (LL) |
|---|--------------------|
| B1 - Powdercoated Black S1 - Powdercoated Silver | 08 - 8" Floor Base |
| Polished Stainless Base - CFB-S108-SS | |
| *Floor base cap ordered separately 360-00426-X | |



Table Base | PCTB-FFLL-U

| Finish (FF) | Size (LL) |
|---|----------------------|
| B1 - Powdercoated Black B3 - Black Plastic S1 - Powdercoated Silver | T7 - 6.5" Table Base |

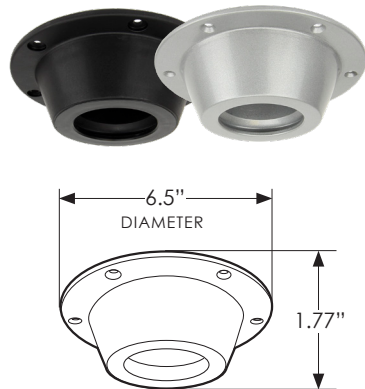


Table Leg | CTL-FFLL-U

| Finish (FF) | Length (LL) |
|------------------------|----------------|
| B4 - Black Anodized | 24 - 22.6" Leg |
| S3 - Silver Anodized | 27 - 25.6" Leg |
| S2 - Polished Anodized | 29 - 27.6" Leg |
| | 33 - 31.6" Leg |

