

Robi COB Flexible Light

Features:

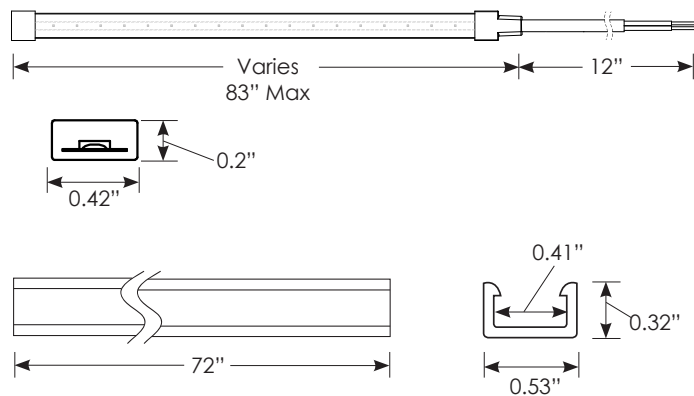
- Chip-on-board (COB) LEDs provides a diffused look in a very low profile.
- Available in 2700K, 3000K, 4000K and 6500K
- Max length of 83" is ideal for shorter installs
- IP66 rating allows for installation in interior or exterior applications
- Requires a channel for mounting

Product Details:

Dimensions 0.42"W x 0.2"H x Length Varies

Total Wattage	4.7 W/Ft
Voltage	10 - 14V DC
Current	0.35 A/Ft
Lumen Output	245 LM/Ft @ 3000K
Wire Size	18AWG
Wire Length	12"
LED Color	2700K, 3000K, 4000K or 6500K
IP Rating	IP66
Operating Temp.	-4°F - 158°F (-20°C - 70°C)

Product Dimensions:



Specification Guide:

Flex Light Sample Part #: CBS1230-9012-10

Base Part
Voltage
LED Color
Roll Length
Wire Length
Light Width

Flex Light Specification:

Base Part #	Voltage	LED Color*	Light Length**	Wire Length (in)	Light Width (mm)
CBS	12	27 - 2700K 30 - 3000K 40 - 4000K 65 - 6500K	211 - 211cm (83")	12 - 12"	10

*Note, due to the difference in manufacturing process the COB tape light color may appear different than standard tape light. ITC recommends reviewing color match prior to installation.

**Contact your sales rep for more information on additional length and channel options

Recommended Channel Specification*:

RBLL10-KS : 72" White mounting channel
RBLL-2 : 72" Black mounting channel

Note: Mounting channel can be cut to length in the field



Mounting Channel:



Pending